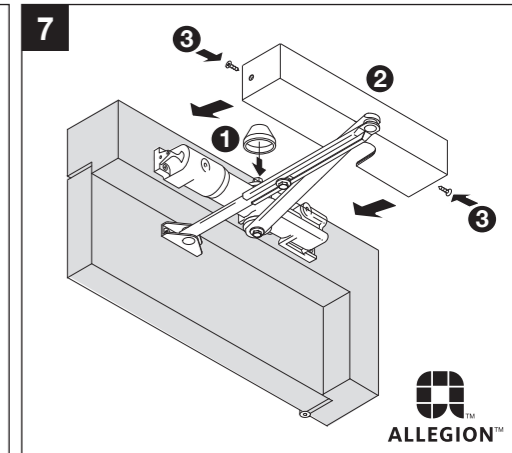
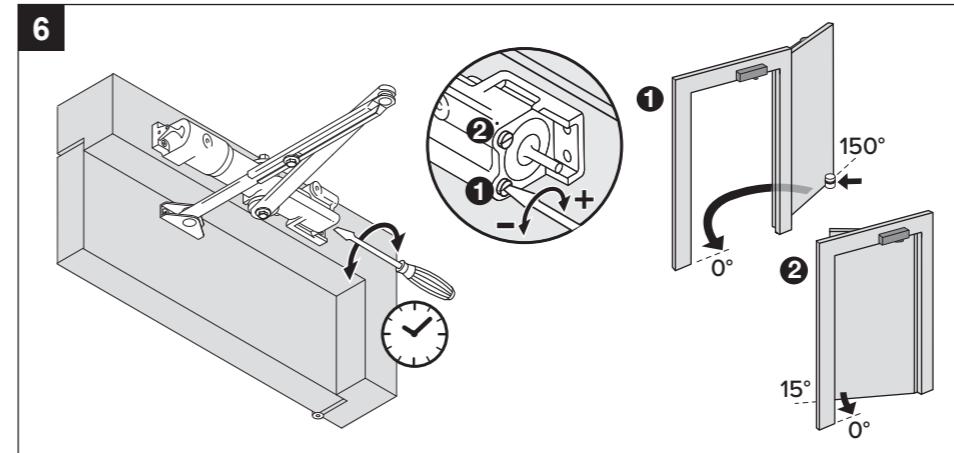
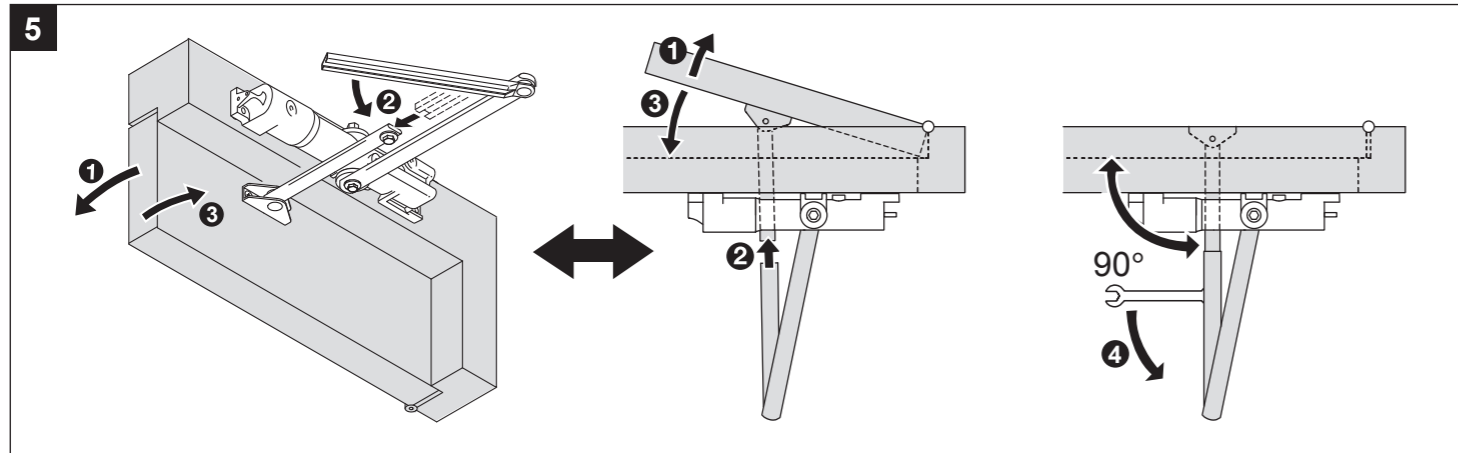
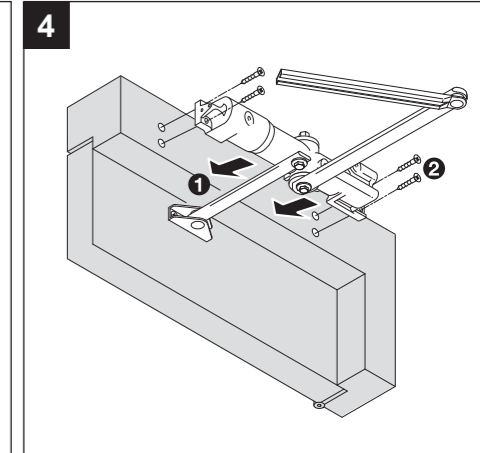
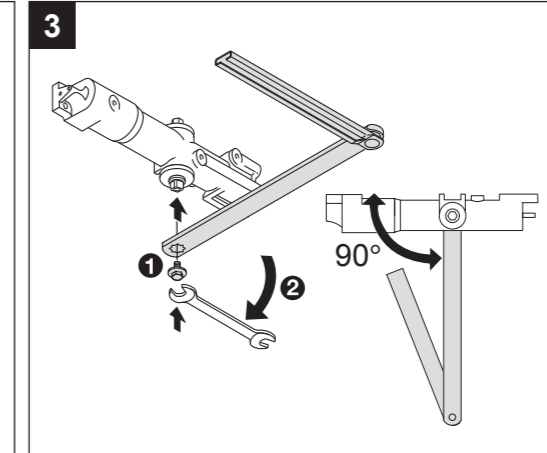
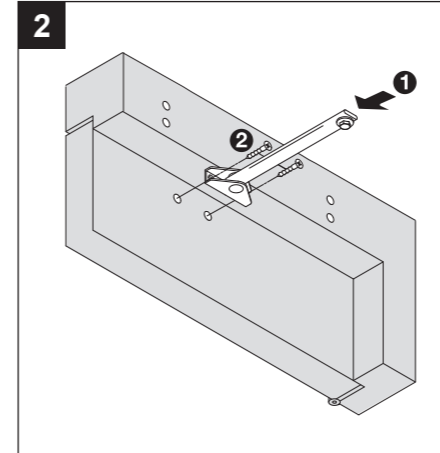
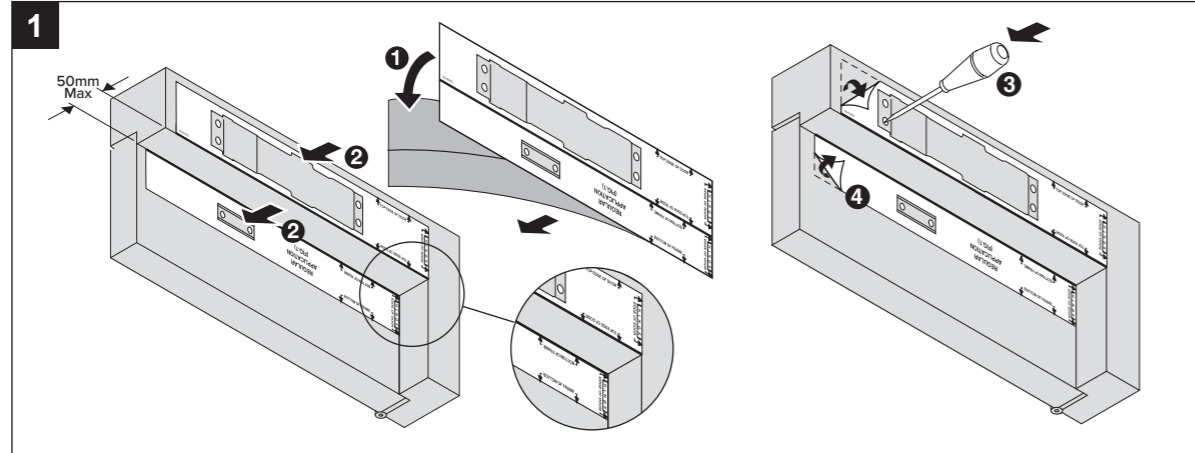
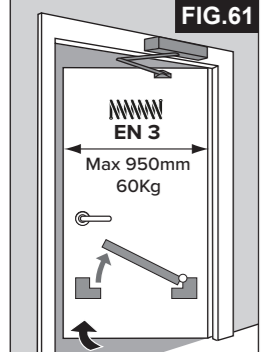
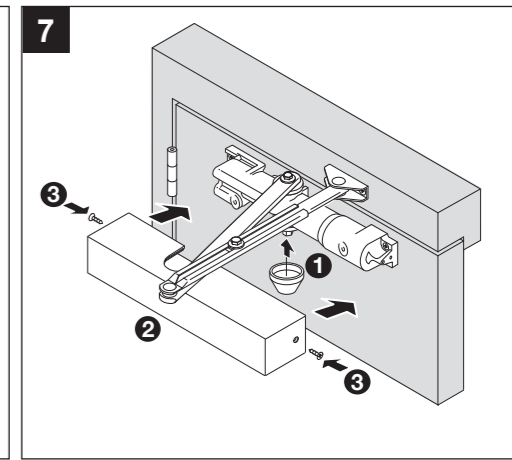
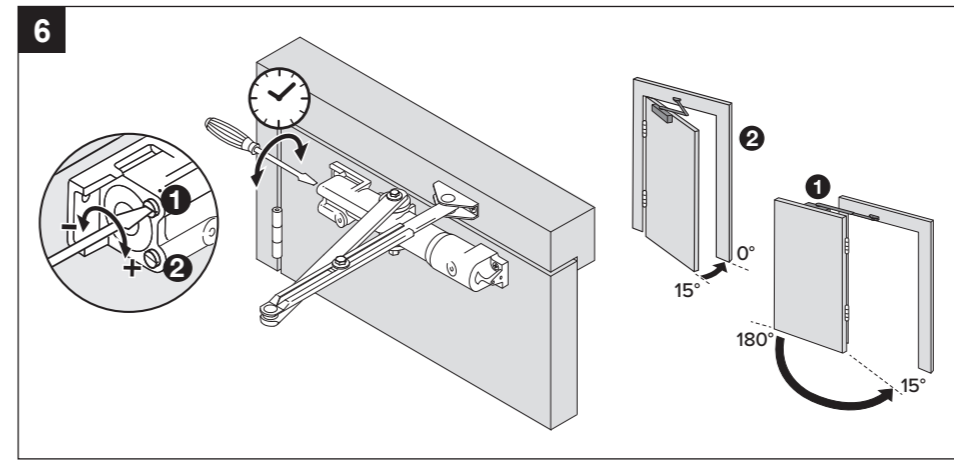
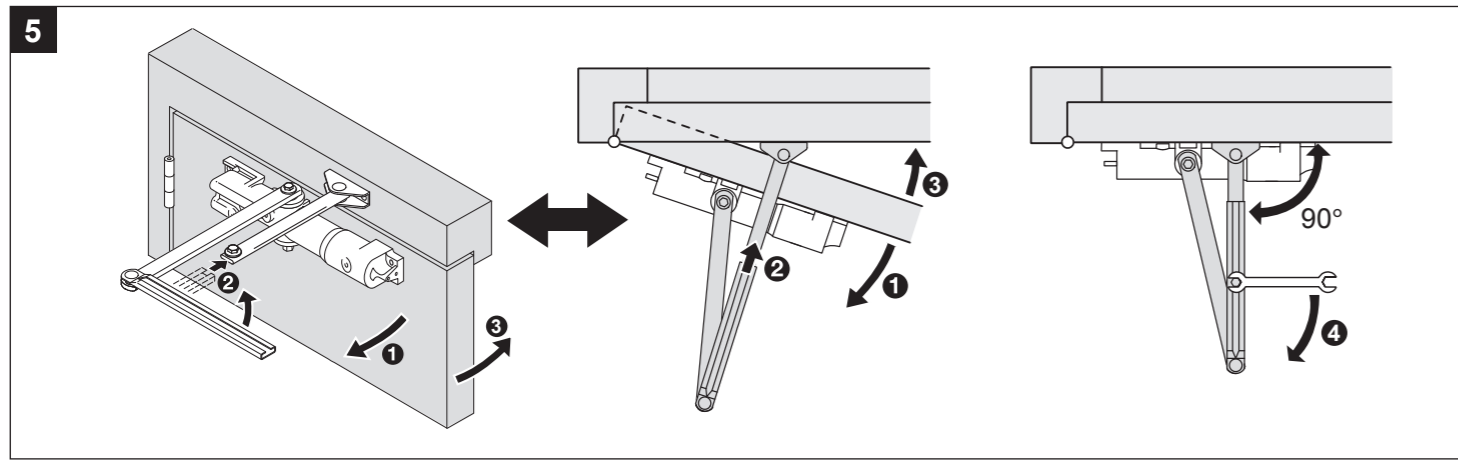
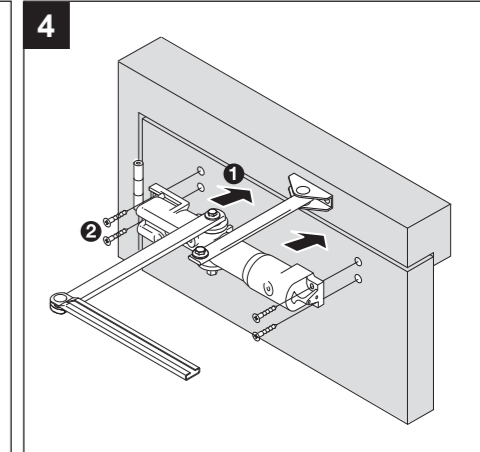
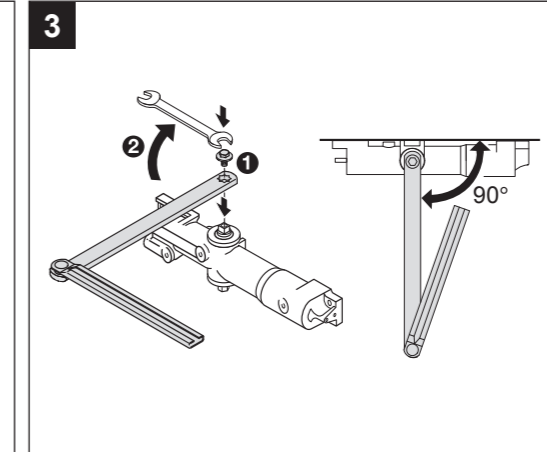
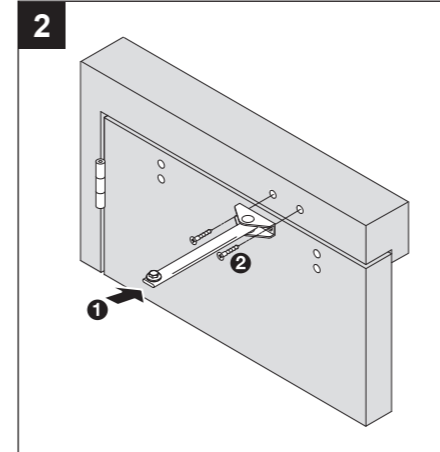
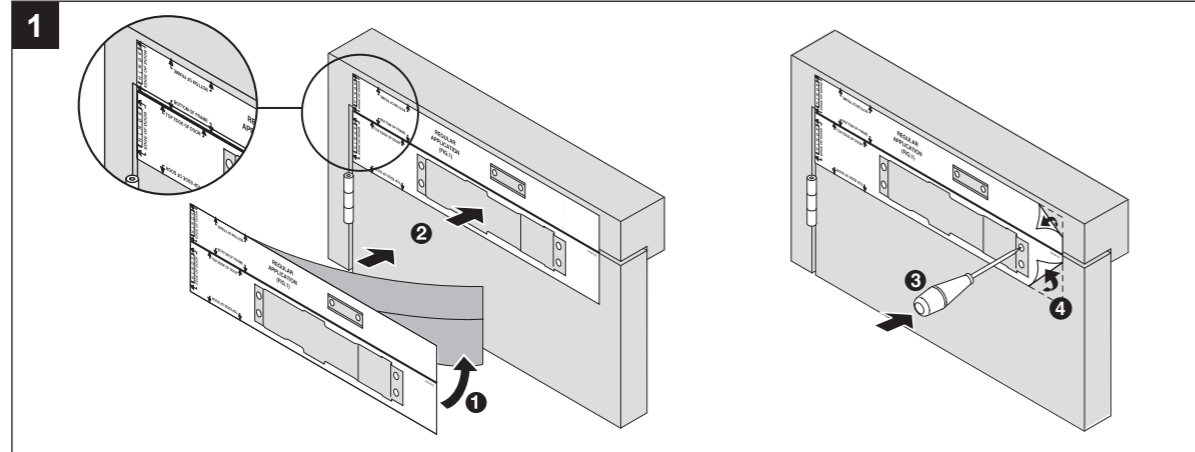
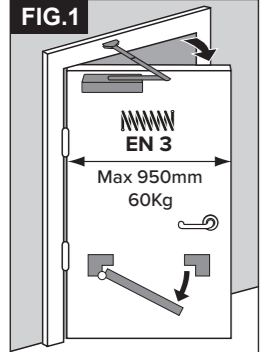
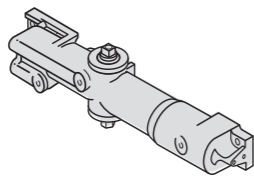


CE	Allegion (UK) Limited 35 Rocky Lane, Aston, Birmingham, B6 5RQ, UK
	2812-CPR-AD0013
EN154-1996-A1:2002	2005
Dangerous Substances: None	
UK CA	1121-CPR-UK-AD7576
	2021





CE	Allegion (UK) Limited 35 Rocky Lane, Aston, Birmingham, B6 5RQ, UK
	2812-CPR-AD0013
EN154-1996-A1:2002	2005
Dangerous Substances: None	
UK CA	1121-CPR-UK-AD7576
	2021

