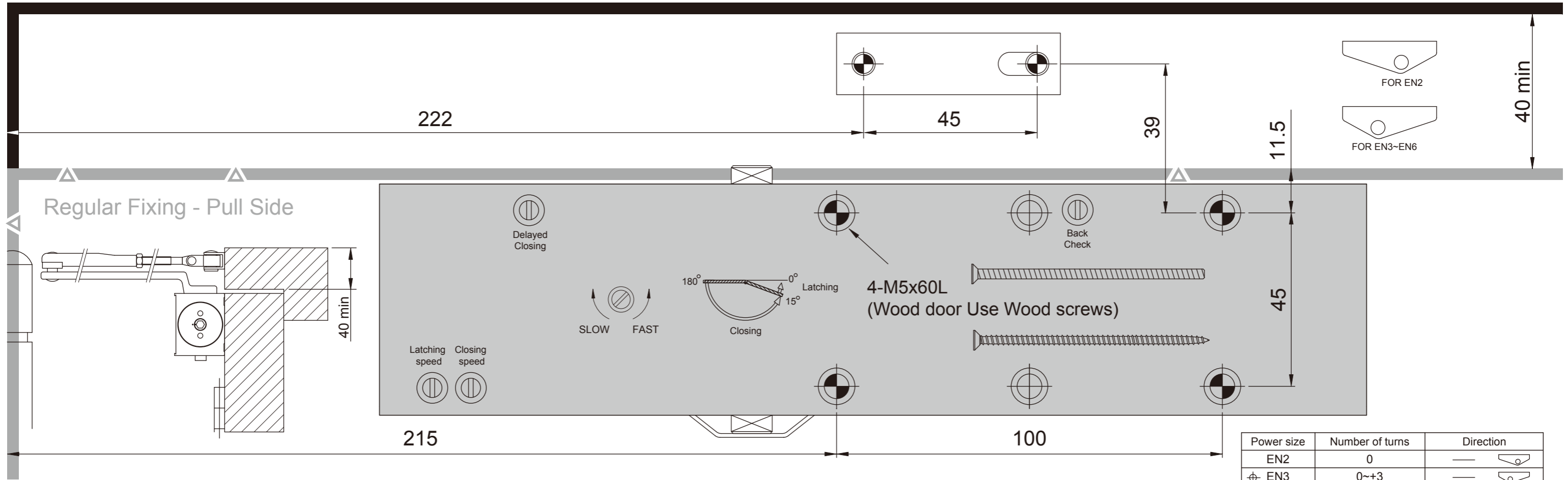
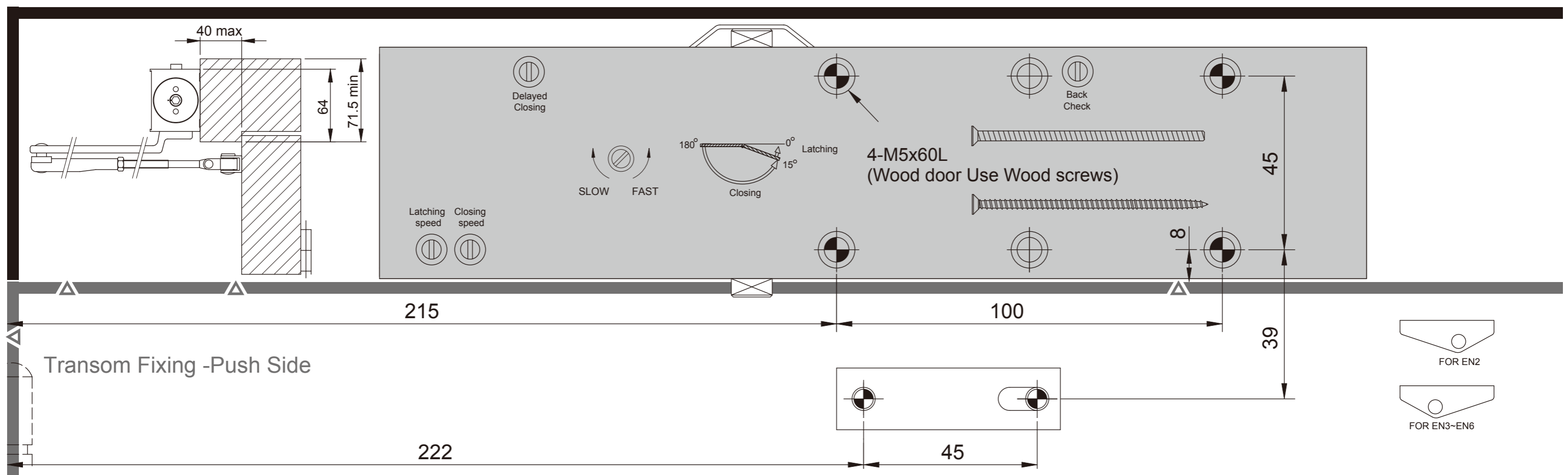


Power Adjustable 2~6



Power size	Number of turns	Direction
EN2	0	—
⊕ EN3	0~+3	—
EN4	+3~+6	Clockwise
EN5	+6~+9	Clockwise
EN6	+9~+12	Clockwise

⊕ FACTORY PRE-SET



Power Adjustable 2~6

